

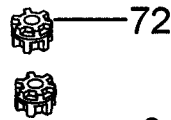
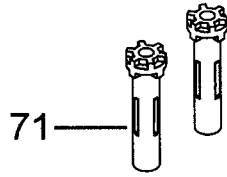
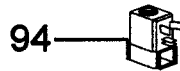
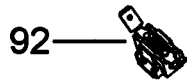
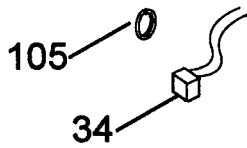
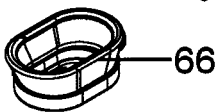
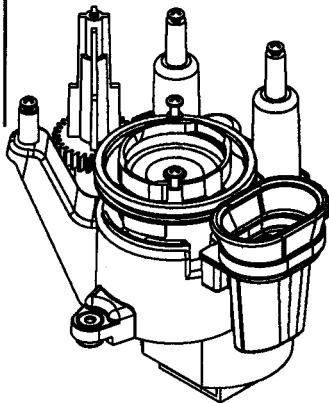
TEST LABEL



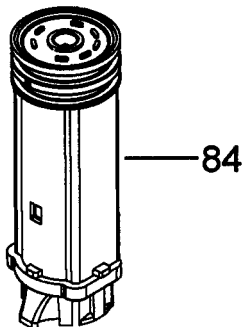
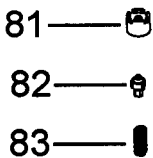
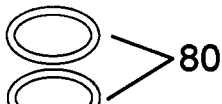
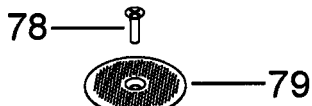
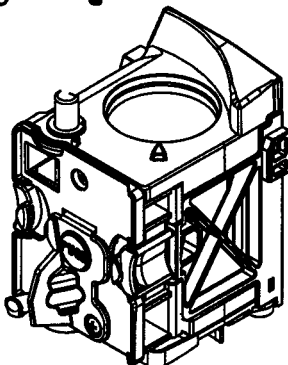
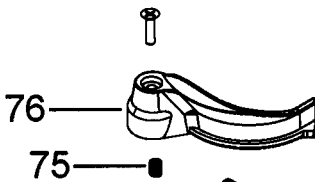
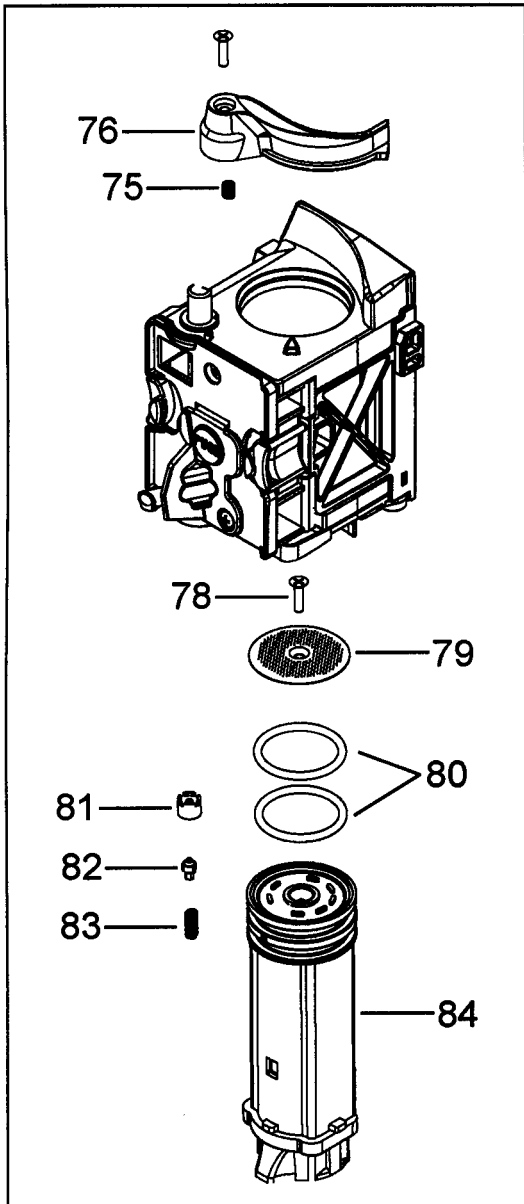
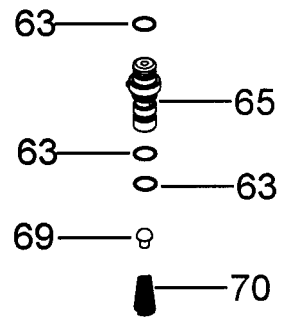
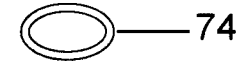
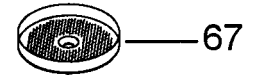
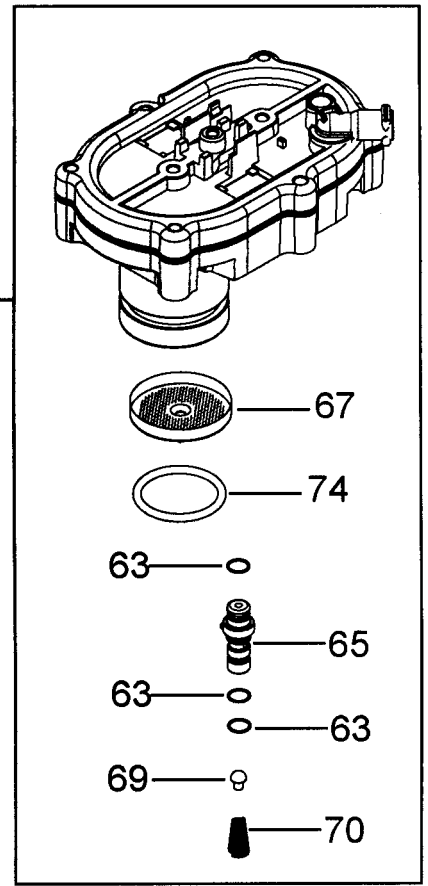
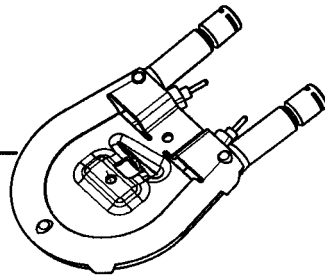
TO PLACE AN ORDER CHECK THE LABEL

CCCCC **EE** SSSSS PPPP

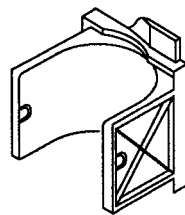
AB=62B



64

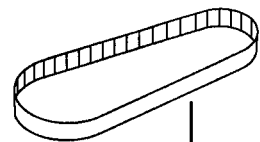
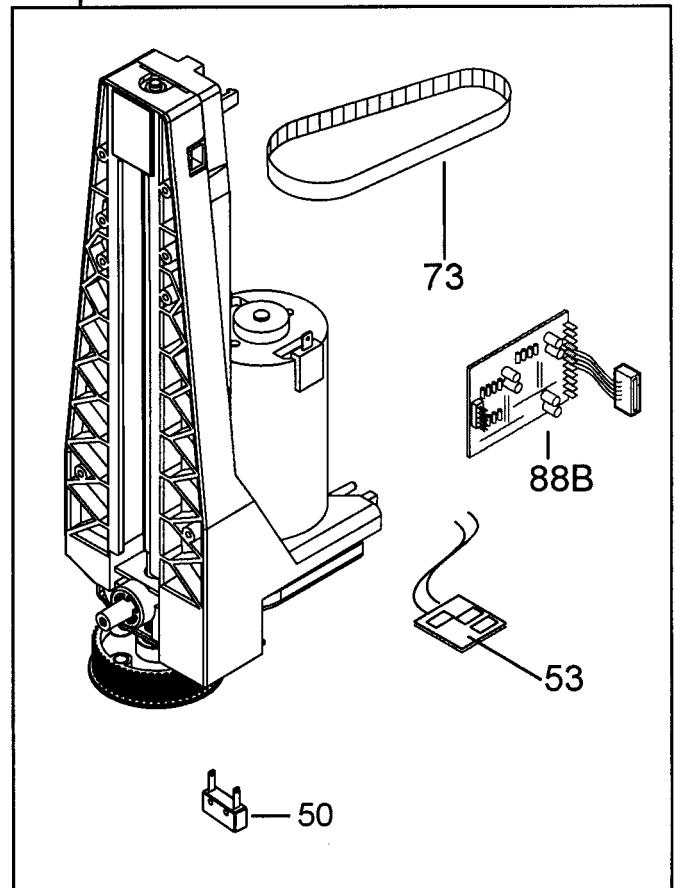


77

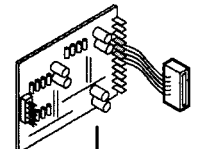


91

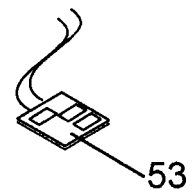
68B



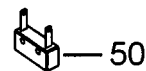
73



88B



53



50

Position	Code	description
	5332108700	GASKET
	7313217261	ASS. GRINDS (ECM)
	5032514800	WIRING FLOWMETER L470
	5313210401	COVER
	5332186200	TUBE 90°
	5332224100	MOTOR BELT GRINDER
	5332164700	RUNNER FRAME
	5013252911	CAB CONTATORE-VOLUMETRICO L630(PVC) MCSA
	5313215891	GOMMINO ANTIMACCH GREY(EPDM70Z 70SH)MCSA
	6113210111	STAFFA TCO(ACC.C70) (GENERATORE) ECAM
	6113210121	BRACKET
	6932102800	BRACKET
	6913210021	E.VALVE BRACKET 2WAY(S.VAP) DEGREASED
	6913210031	E.VALVE BRACKET 3WAY DEGREASED MCSA
	6913210011	BRACKET
	6932103900	GRID
	5332173800	GLASS DISPENSER BLACK (ABS) MCSA
	5332213100	DISTANZIALE 5XD6.2XD8.8 NATURAL(PPS)MCSA
	5332238300	TUBE 90°
	5332270300	COVER
	5313219181	GASKET BELLOWS GRINDER
	SER0354	Lubricating grease VERKOFOOD WR2 TUBE 5GR
001	5332172500	COVER
002	5332172400	COVER
004	7313224471	CLOSURE
005	5332172700	SIDE LEFT
006	5913210471	KNOB
007	5532146600	TANK
008	5332172800	REAR PANEL
009	5332172600	SIDE RIGHT
010	5913212701	CONTROL PANEL
011	VI000	SEE TECNICAL INFORMATION
012	7313220631	DOOR ASSY
013	5332142600	HOOK
014	5332145600	COVER

015	7313228241	WATER TANK
016	5332171900	PROFILE
017	6032105000	CUP PLATE
018	5332169700	TRAY
019	5332224900	BOTTOM
020	5332266300	FLOAT
021	5332169200	MEASURING SPOON
028	6132101300	CLIP
030	5032526800	WIRING TCO
031	5332142200	SUPPORT
032	5132104100	MICROSWITCH
033	6132104700	SPRING
034	5217100200	SENSOR NTC
035	7313219431	VALVE
036B	5213212811	POWER BOARD
037	5313216501	SUPPORT
038	5113211281	PUMP
039	5232103200	PROTECTOR
040	5513212881	TUBE PTFE DI2-DE4 L=270 2BUSHES
043	5113210421	MICROSWITCH
044	5213212821	CONTROL BOARD
048	5332172100	PUSH BUTTON
050A	5132105400	MICROSWITCH
051	5513220521	FILTER
053	5213213971	HALL SENSOR
054	5213214671	FLOWMETER
055	5232104600	SENSOR REED
062B	5513227971	COMPLETE GRINDER
063	5313217751	O-RING
064	5513227881	GENERATOR
065	5332213000	PIN
066	5332144900	GASKET
067	5332139200	FILTER
068B	5513227951	TRANSMISSION KIT
069	5332148400	VALVE
070	6132106900	SPRING
071	5332142300	BUSH
072	5332142400	BUSH

073	5332170600	BELT
074	5332149100	O-RING
075	6132103500	SPRING
076	5332139800	LEVER
077	5513227871	INFUSER
078	9812631250	SCREW
079	6032105300	FILTER
081	5332139600	STOPPER
082	5332139500	VALVE
083	6132106700	SPRING
084	5332140300	PISTON
088B	5213212381	MOTOR BOARD (ECM)
089	5332171500	COVER
090	534848	SUPPORT
091	7332166600	SLIDER
092	5232105000	TCO
094	5213210181	SOLENOID VALVE
095	IT0286	SEE TECNICAL INFORMATION
096	5332170800	GLASS
097	7132102600	FRONT PANEL
098	5332180300	TEMPLATE
099	5332170700	COVER
100	5332170900	KEYBOARD
101	5932113600	PUSH BUTTON
102	5932113700	PUSH BUTTON
103	5932113300	PUSH BUTTON
104	5932113200	PUSH BUTTON
105	5313217701	O-RING D=3,85
106	5932113800	PUSH BUTTON
107	7313210271	COVER
108	5513211621	MILK JUG for MAGNIFICA SERIES
109	5313219481	SUPPORT
110	5513225701	KIT SOLENOID VALVE 2V
111	5513227411	COUPLING CARAFE
112	5532124900	PIPETTE